

Remote Camera

User Manual

Remote Camera

Models: 517XL & 700

User Manual

Rev. 2.0, December 2005

All rights, in particular the rights of reproduction as well as translation, are reserved. No parts of this manual may be copied, in any form whatsoever, without written approval by Optelec.

Optelec, previously known as Tieman was founded in 1975 in Rockanje, the Netherlands. Since 1975 Optelec has developed and produced innovative products to assist the blind and visually impaired in their daily activities. Visit the Optelec website at www.optelec.com for extensive information about Optelec products and services.

Every effort has been made to ensure that the information contained in this user manual is correct at the time of issue. Neither Optelec, nor its agents, assume any responsibility for errors or damages resulting from use other than described in this manual.

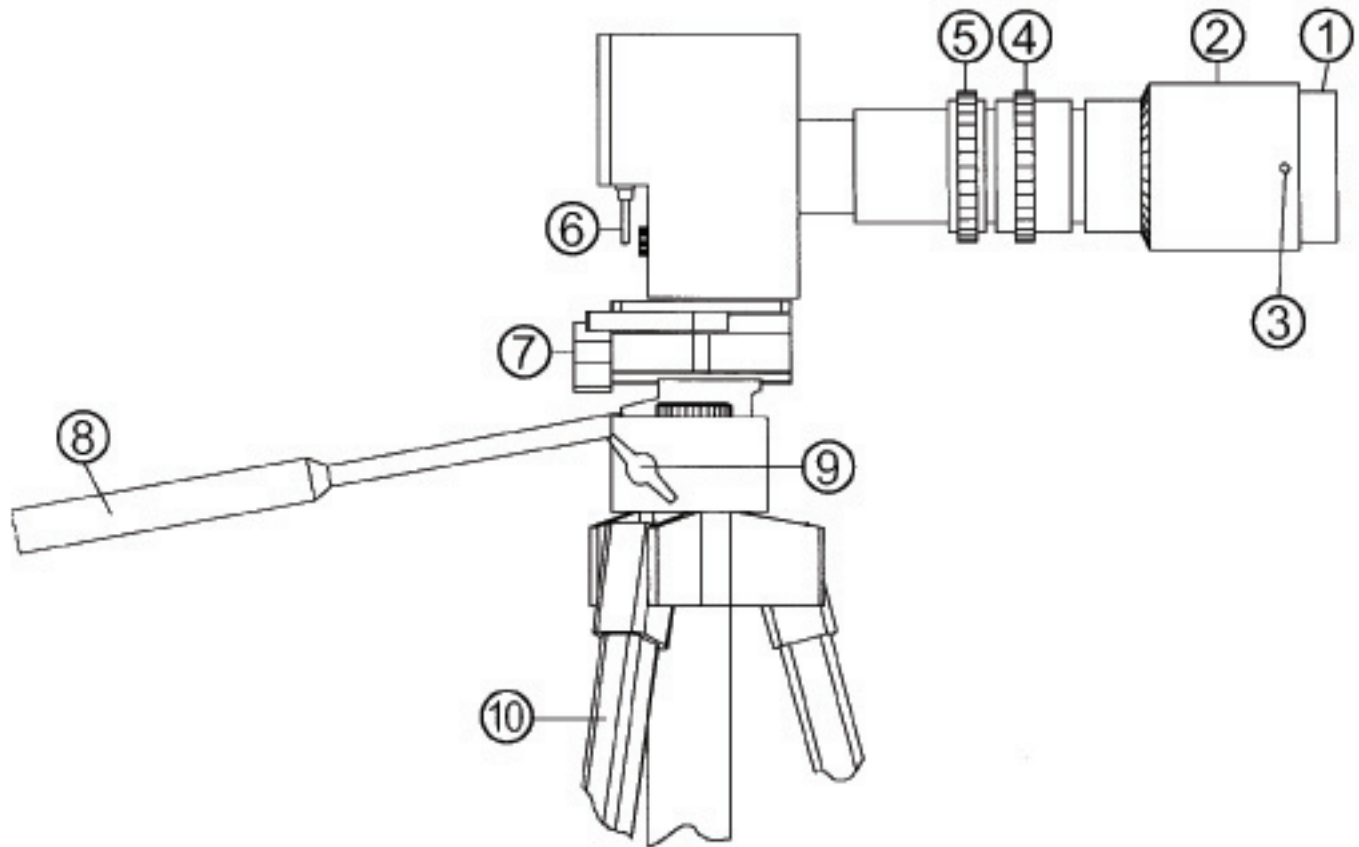
ENGLISH

1	Operating Instructions	4
2	Setting up your Camera.....	5
4	Using your Camera	5
5	Helpful Hints	9



OPERATING INSTRUCTIONS

Remote Camera



- | | |
|--------------------------|---------------------------|
| ① Close-Up Lens | ⑥ Image Reversal Switch |
| ② Focus Ring | ⑦ Base Tilt Knob |
| ③ Lock Screw (for focus) | ⑧ Camera Tilt Arm |
| ④ Size Ring | ⑨ Camera Base Swivel Knob |
| ⑤ Aperture Ring | ⑩ Tripod |



SETTING UP YOUR CAMERA

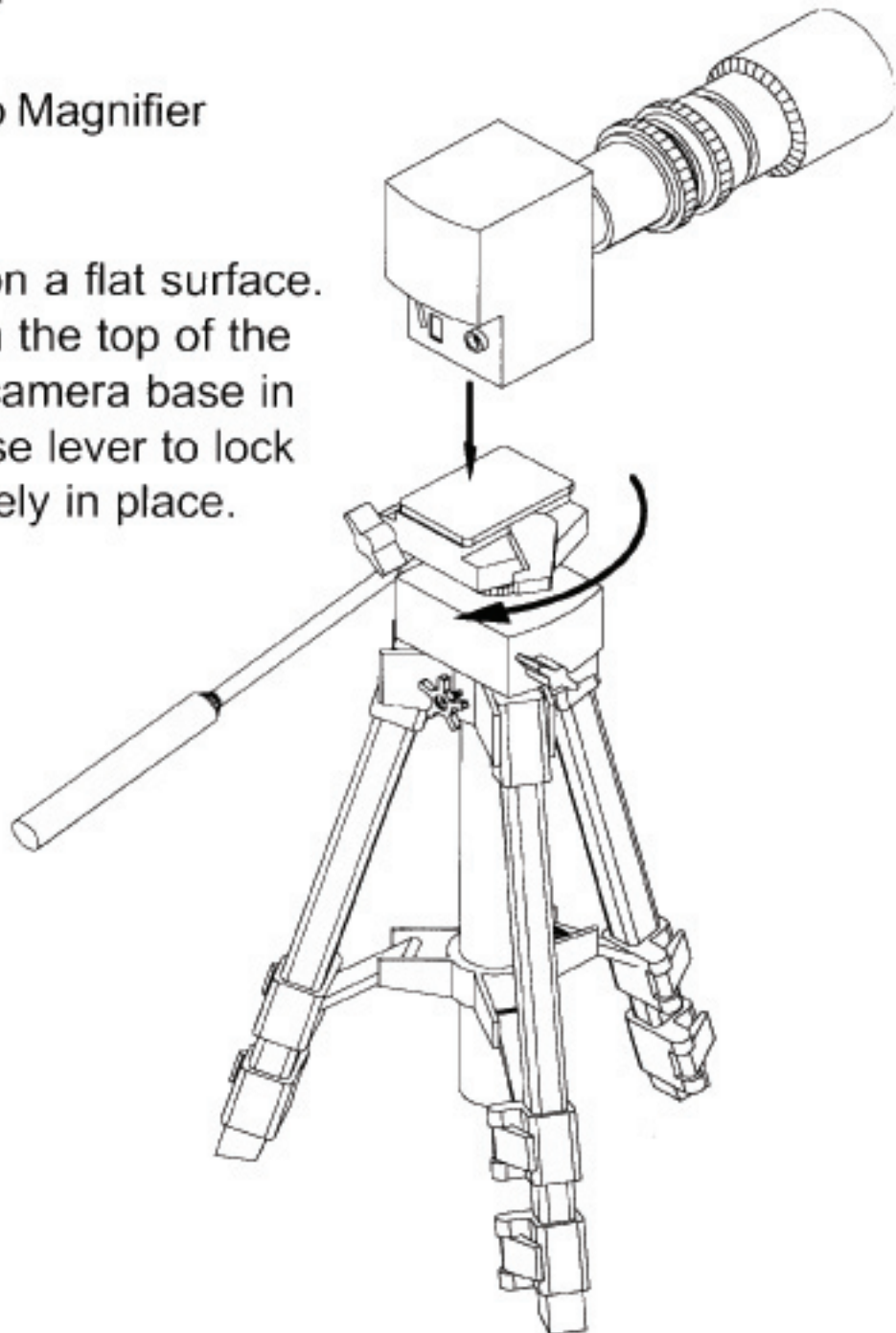
Your Remote Camera is designed to work with the ClearView 517XL and ClearView 700.

You will need:

- Remote Camera
- Tripod
- ClearView Video Magnifier

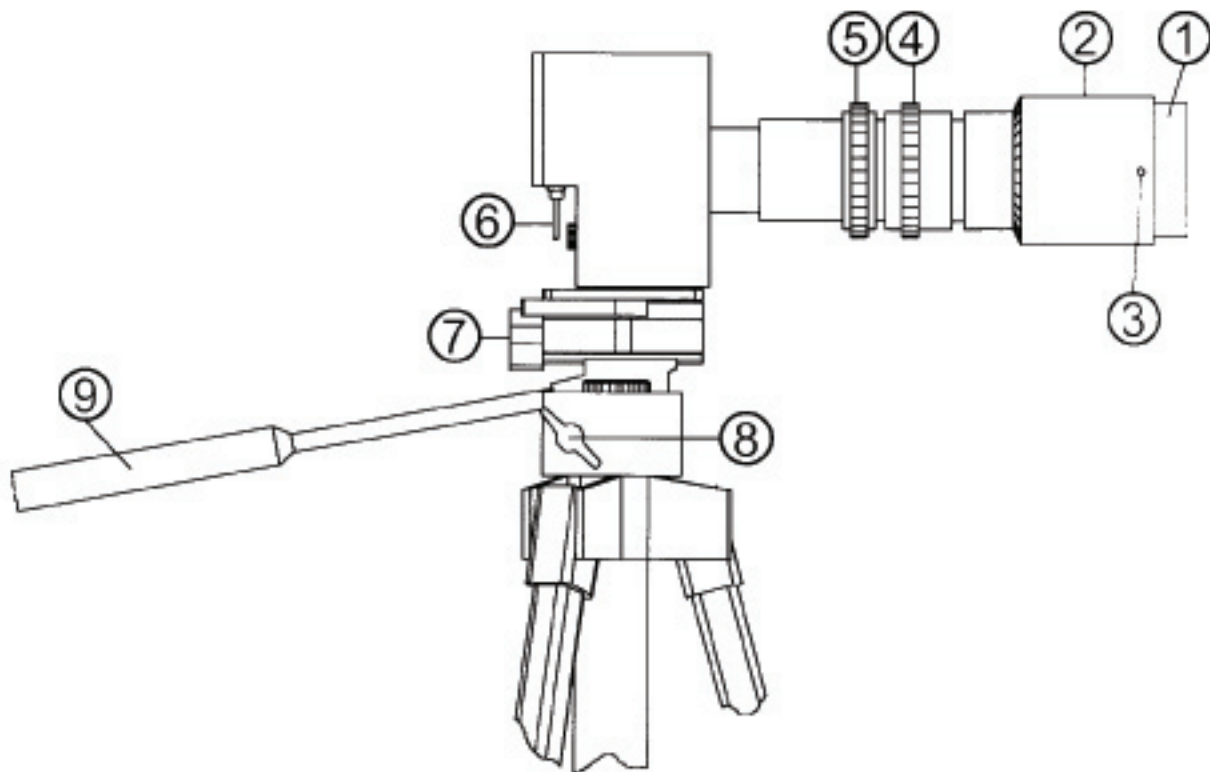
Step 1

Stand the tripod on a flat surface. Open the lever on the top of the tripod and place camera base in the opening. Close lever to lock the camera securely in place.





USING YOUR CAMERA



1. Close-Up Lens

The Close-Up Lens is used only when observing objects less than 2 feet away. If you wish to view objects greater than 2 feet away, remove the Close-Up Lens by carefully unscrewing the lens in a counterclockwise direction. Avoid contacting the lens itself with your fingers.

2. Focus Ring

Adjusts the sharpness of the screen image.

3. Lock Screw (for Focus)

Locks the focus into place when tightened.

4. Size Ring

Adjusts the size of the screen image. Turn counterclockwise to increase image size and clockwise to decrease image size.

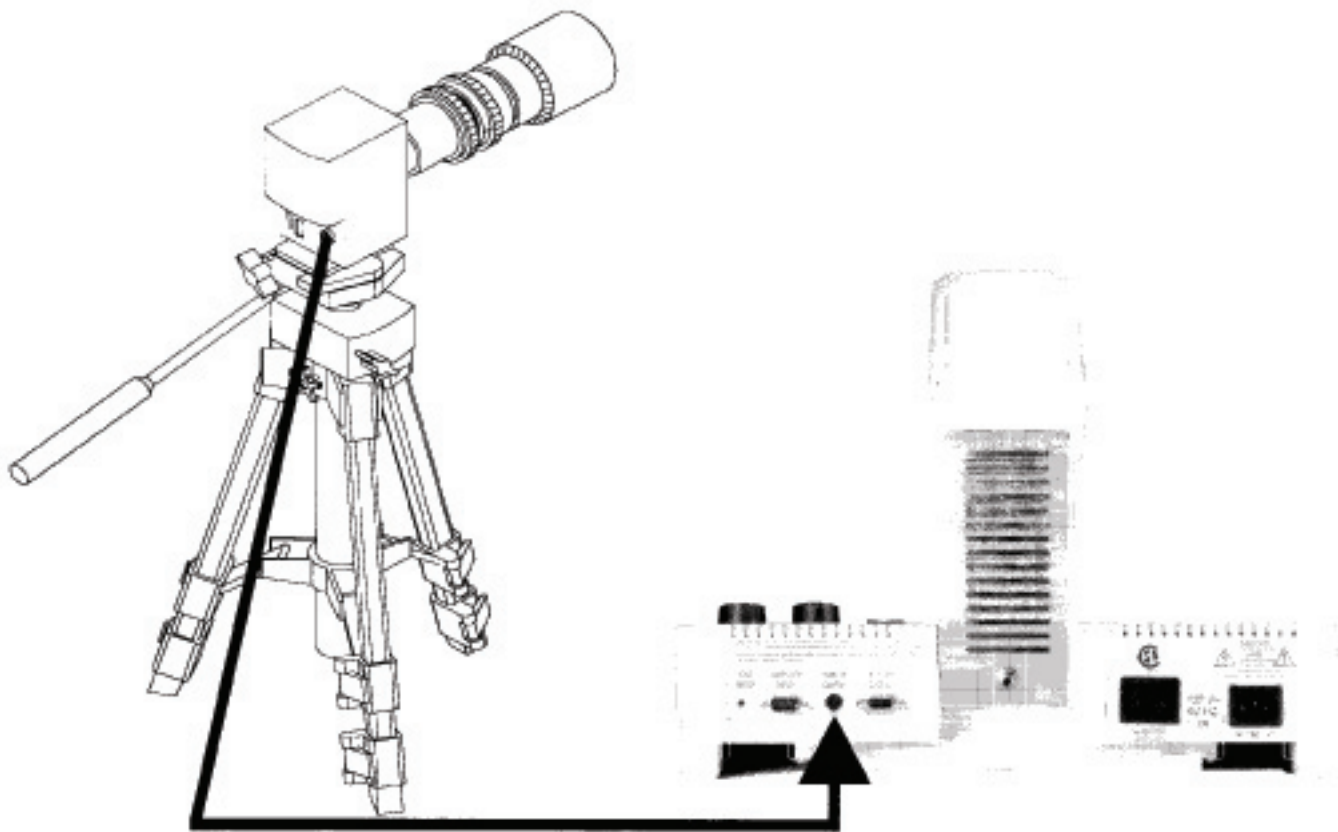


Step 2

Place the Remote Camera next to your ClearView Video Magnifier.

Step 3

Plug the Remote Camera cable into the "REMOTE CAMERA" connector on the back of the ClearView Video Magnifier.



Step 4

Follow the instructions in your Video Magnifier User's Guide to set up your ClearView Video Magnifier. To use the Remote Camera, the Video Magnifier must be turned on. The Remote Camera image will be displayed on the TV or monitor connected to your Video Magnifier.



5. Aperture Ring

By adjusting the aperture you can control the amount of light that is let into the camera. For example, if the room is dimly lit, you can adjust the aperture control to let in more light - make the screen image lighter. Conversely, in a brightly lit room, you can adjust the aperture control to let in less light - make the screen image darker.

6. Image Reversal Switch

The switch is located on the back of the camera. If you are using the camera with an older reading system, you will need to change the switch setting in order for the image to appear the right way around. If using a ClearView Video Magnifier, you will not need to use this feature.

7. Base Tilt Knob

By loosening the knob, it allows you to adjust the camera angle up to 90 degrees.

8. Camera Base Swivel Knob

By loosening the knob, it allows you to swivel the camera a full 360 degrees.

9. Camera Tilt Arm

Allows you to tilt the camera up and down. Turn the tilt arm counterclockwise to loosen, clockwise to tighten.

H HELPFUL HINTS

We recommend the following procedures for displaying an image on the Remote Camera:

- Determine the position of the camera and control arm which best suits your application. Aim the camera directly at the object to be displayed.
- Set the aperture control to the midpoint. The aperture control has a detent at this position. You will feel the ring click into place.
- Adjust the size ring for the maximum image size and turn the focus ring to focus the image.
- Re-adjust the size control for the desired magnification. The image should stay in focus.
- The aperture ring may now be adjusted to lighten or darken the displayed image according to the existing light conditions.

Note: The ClearView can not split screen with the video (internal camera) and remote camera simultaneously.