

# Compact

User manual

# Compact

## User Manual

Rev. 2.0, December 2005

All rights, in particular the rights of reproduction as well as translation, are reserved. No parts of this manual may be copied, in any form whatsoever, without written approval by Optelec.

Optelec, previously known as Tieman was founded in 1975 in Rockanje, the Netherlands. Since 1975 Optelec has developed and produced innovative products to assist the blind and visually impaired in their daily activities. Visit the Optelec website at [www.optelec.com](http://www.optelec.com) for extensive information about Optelec products and services.

Every effort has been made to ensure that the information contained in this user manual is correct at the time of issue. Neither Optelec, nor its agents, assume any responsibility for errors or damages resulting from use other than described in this manual.

# Index

1	General.....	4
2	Safty instructions.....	5
3	Contents and set-up .....	5
4	Operation .....	6
5	Charging the battery.....	7
6	Troubleshooting and service .....	7
7	Technical information .....	8
8	Declaration of conformity .....	8
9	Service .....	9
10	Contact information .....	9

# 1 General

Congratulations on your purchase of the Compact, a high quality pocket size electronic magnifier made by the Tieman Group. The Compact is designed to be used in dry and non-industrial conditions. It is a product according to current standards and regulations. This user manual contains information about the set-up, operation and maintenance of the Compact. Read this user manual carefully before operating the Compact, paying extra attention to the safety and maintenance instructions. Refer to the figures on below for extra clarification when reading through the manual.

Figure 1

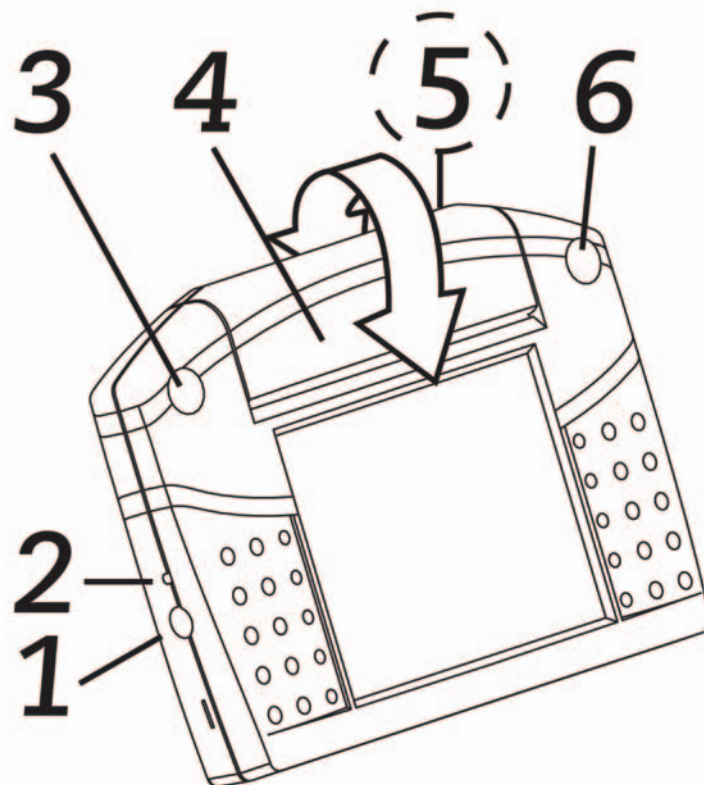


Figure 2.1

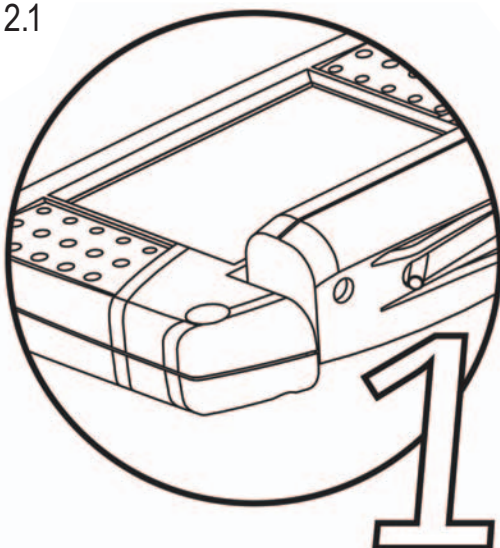
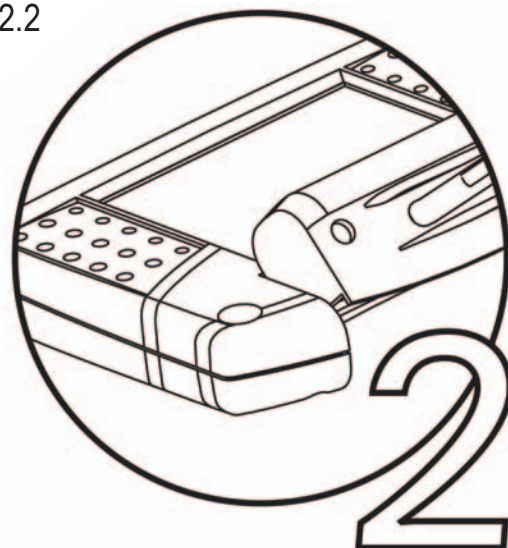


Figure 2.2



## 2 Safty instructions

- Do not expose the Compact to excessive heat or direct sunlight to avoid the risk of fire.
- Do not remove any parts of the Compact. Contact authorized service personnel of the Tieman Group for servicing.
- To avoid risk of electrical damage, keep your Compact away from fluids and chemicals.
- Use a moist cloth to clean the exterior. (a moist chamois cloth is ideal). Never use a solvent, like alcohol. Avoid cleaning or rinsing agents, as they may damage the lens.
- Do not drop, kick or shake the Compact. Rough handling will damage the internal components.
- Do not use the Compact near inadequately shielded medical devices.

Use of the Compact other than described in this manual will exclude the Compact from warranty conditions.

## 3. Contents and set-up

The following items are included with the Compact in the packaging box:

- 1 Compact
- 1 detachable neck cord
- 1 protection carrying case
- 1 Power cable with adapter
- 1 User manual

Connect the neck cord to the Compact to carry the Compact around your neck. See figure 1. Connect the Power adapter plug in the Compact on the left side (1) and put the mains adapter into your wall socket. The battery is now charging.

# 4 Operation (see figure 1)

Turn the Compact on by rotating the camera unit (4) 90 degrees toward you until you feel a click (see also figure 2.1). The Compact will switch on automatically. Switching off the Compact is done by closing the camera unit.

For reading on a flat surface the lever at the back of the camera unit (5) needs to be placed to the right and the camera unit needs to be opened 90 degrees. Magnification is 8X.

You can rotate the camera unit further until you will feel another click (figure 2.2). In this position the camera unit must be held about two centimeters above the paper for writing or reading, the lever now needs to be placed to the left. Magnification is now 4X. See the figures on page 3 for an overview of the camera unit positions.

At the front side of the Compact, you will find two buttons. With the right button (6) you can switch between the following modes:

- Photo mode
- Positive text mode; white-black
- Negative text mode; black-white

By repeatedly pushing the left button (3) you will toggle between two false colour combinations. These combinations are only available in the positive and negative text mode. The left button has no function in photo mode. The false colour combinations are:

- Black – yellow
- Blue – yellow

## 5 Charging the battery (see figure 1)

When the batteries of the Compact are almost empty you will hear two short beeps every ten seconds. The Compact needs to be recharged.

Connect the power adapter plug to the Compact and connect the adapter to the wall outlet. The LED light (2) on the left sight will be lit. The battery is now charging. It will take 4 hours to charge the battery. Meanwhile the Compact can be used but charging will then take one hour extra. The battery will last for 2 hours continuous use when it is fully charged. When the battery is fully charged, the LED light will switch off.

## 6. Troubleshooting and service

No power

- Is the camera unit open? (functions as on/off switch)
- Is the adapter connected properly? Angled plug should be pressed against the housing
- Is the battery charged?
- Check wall outlet

Image out of focus

- Is the lever in the correct position? See chapter 4; Operation

### **Note :**

Used batteries should be disposed at a depot that is designated by local competent authorities.

## 7. Technical information

Magnification	4X and 8X. (two settings)
Camera resolution	510 x 492 pixels
Screen	4" (10 cm.), 640x480 resolution TFT
Lighting	White LED light
Semi Colors	2 (also in negative mode)
Battery life	2 hours
Battery charging time	4 hours
Weight	300 grams
Electrical Supply	120 – 240 VAC / 50-60 Hz
Adapter	5V-2A

### Operation and storage conditions:

Relative humidity	<70 %, no condensation
Temperature	0 – 35 ° C

## 8 Declaration of conformity

This product responds to the safety and EMC requirements according to:



## 9 Service

For additional questions on the ClearNote regarding service, installation or operation, do not hesitate to contact your local distributor. To find your local distributor please call 1-800-826-4200

## 10 Contact

Optelec U.S. Inc.  
3030 Enterprise Court, Suite C  
Vista, CA 92081  
Phone (800) 826-4200  
Fax: (800) 368-4111  
[www.optelec.com](http://www.optelec.com)