

Traveller+

User manual

Traveller+

User Manual

Rev. 2.0, December 2005

All rights, in particular the rights of reproduction as well as translation, are reserved. No parts of this manual may be copied, in any form whatsoever, without written approval by Optelec.

Optelec, previously known as Tieman was founded in 1975 in Rockanje, the Netherlands. Since 1975 Optelec has developed and produced innovative products to assist the blind and visually impaired in their daily activities. Visit the Optelec website at www.optelec.com for extensive information about Optelec products and services.

Every effort has been made to ensure that the information contained in this user manual is correct at the time of issue. Neither Optelec, nor its agents, assume any responsibility for errors or damages resulting from use other than described in this manual.

Index

1. General.....	11
2. Safety instructions	12
3. Contents and set up	13
4. Operation	14
5. Changing screen angle	15
6. Writing with the Traveller.....	16
7. Charging the batteries	17
8. Connection to a TV.....	18
9. Using the Car adapter:	18
10. Technical information	19
11. Contact information	21

Figure 1

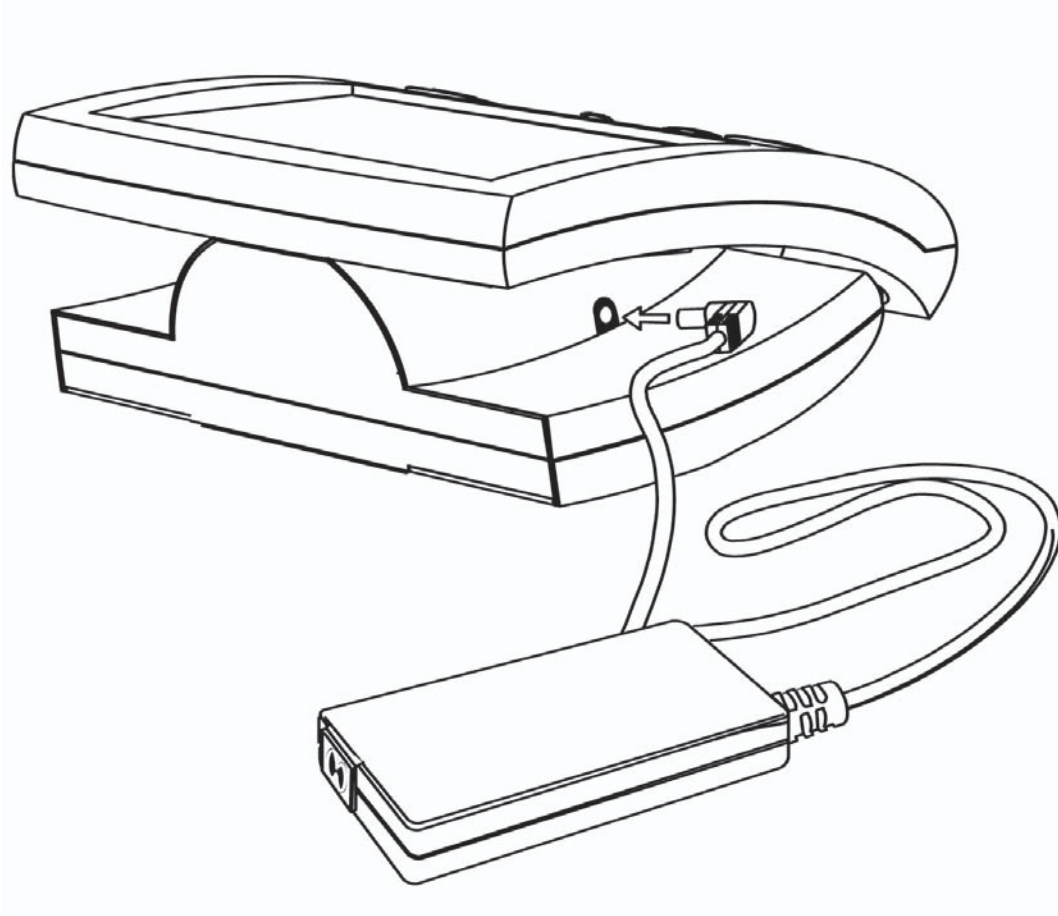


Figure 2

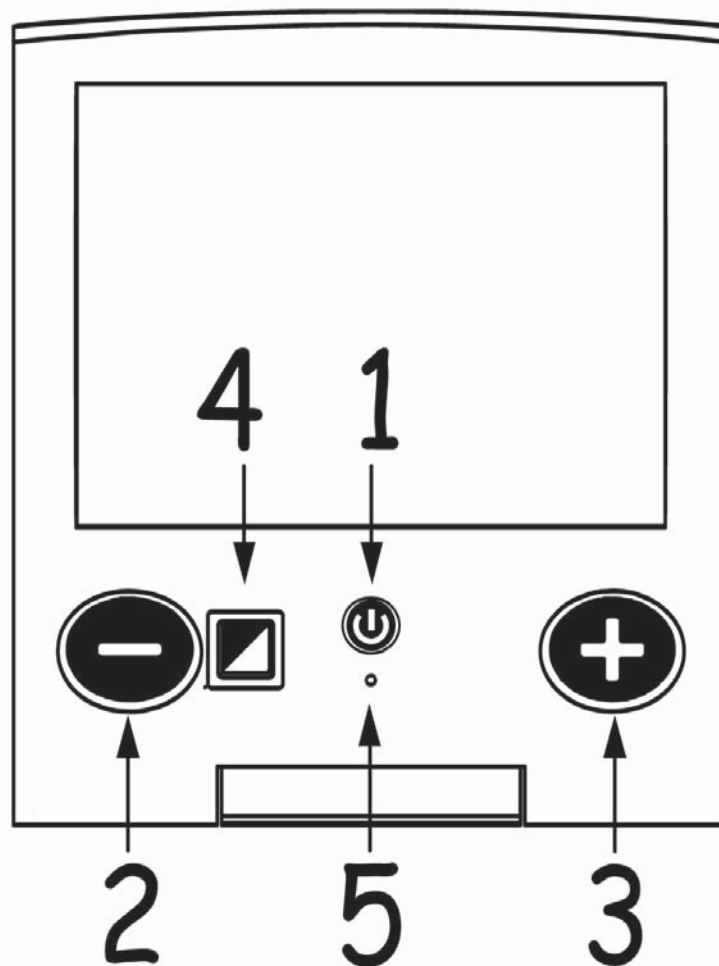


Figure 3

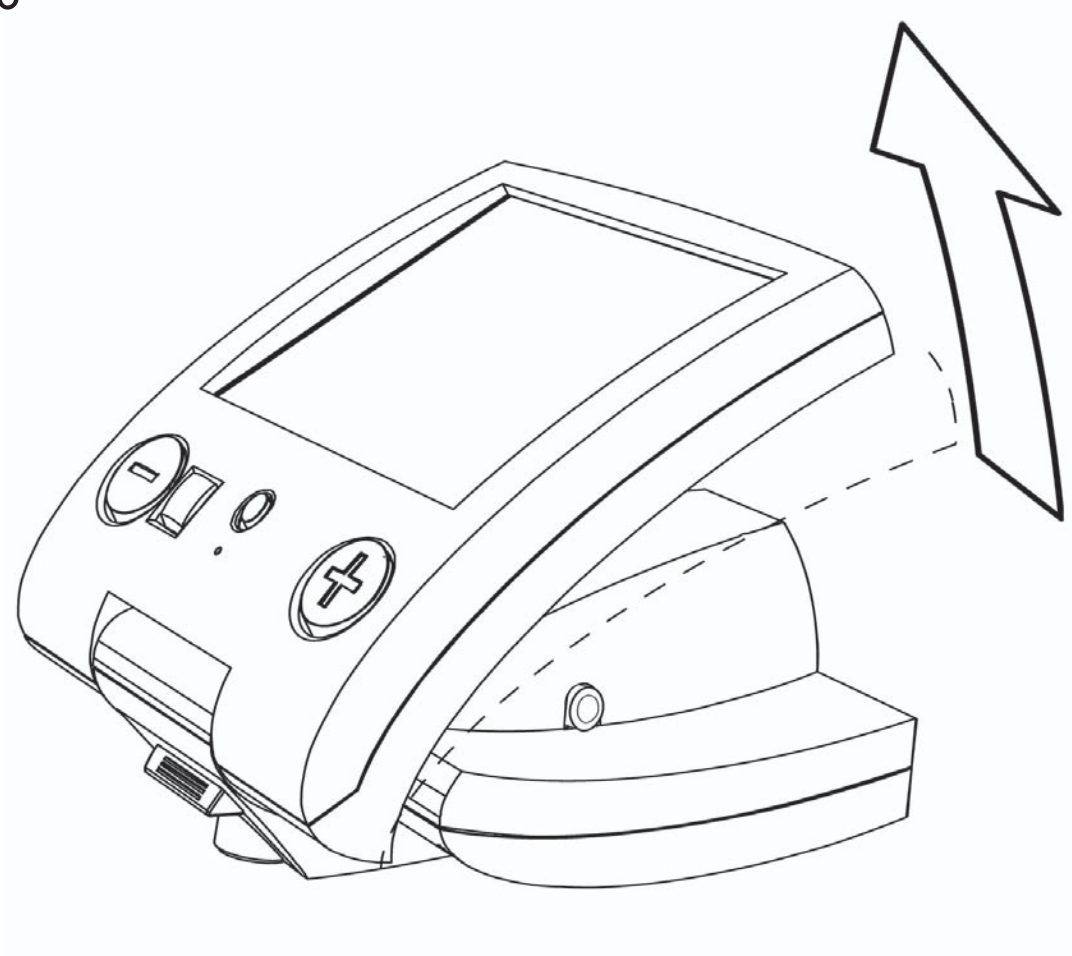


Figure 4

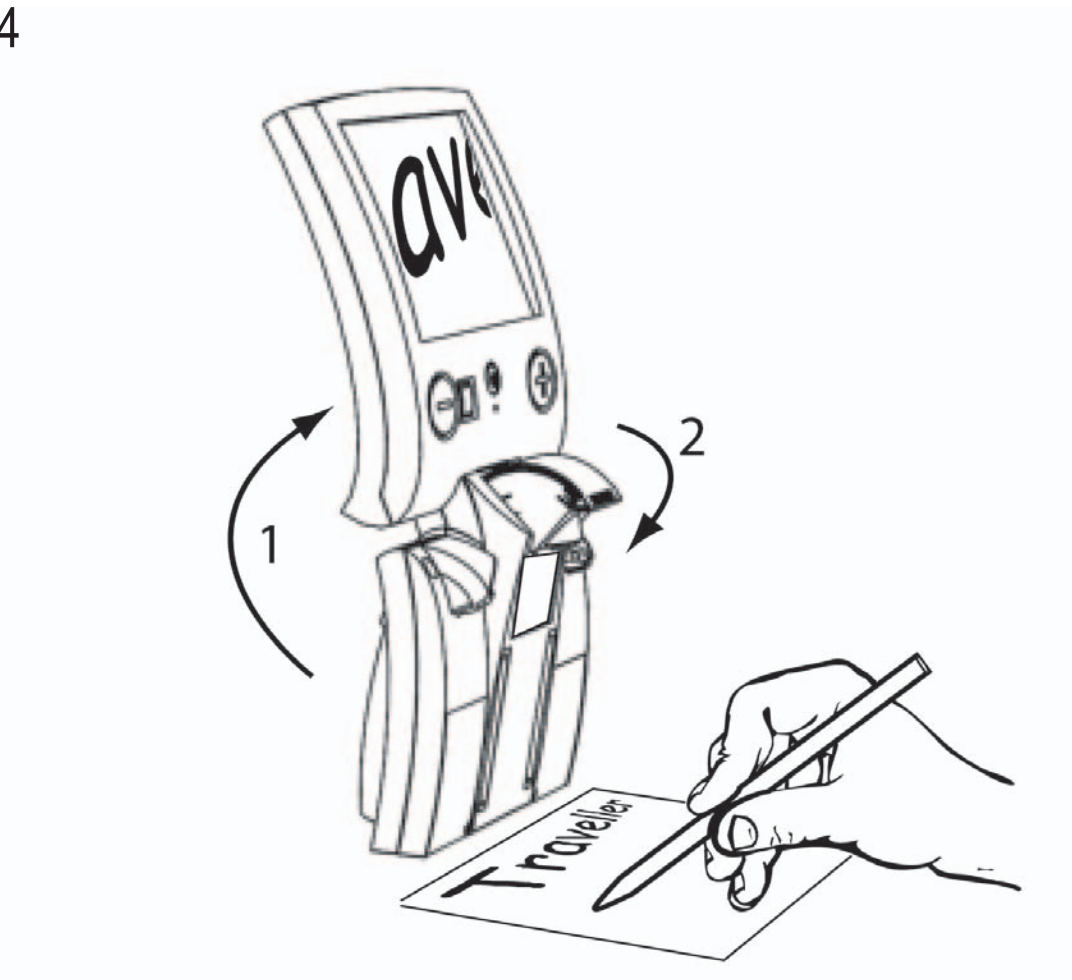


Figure 5

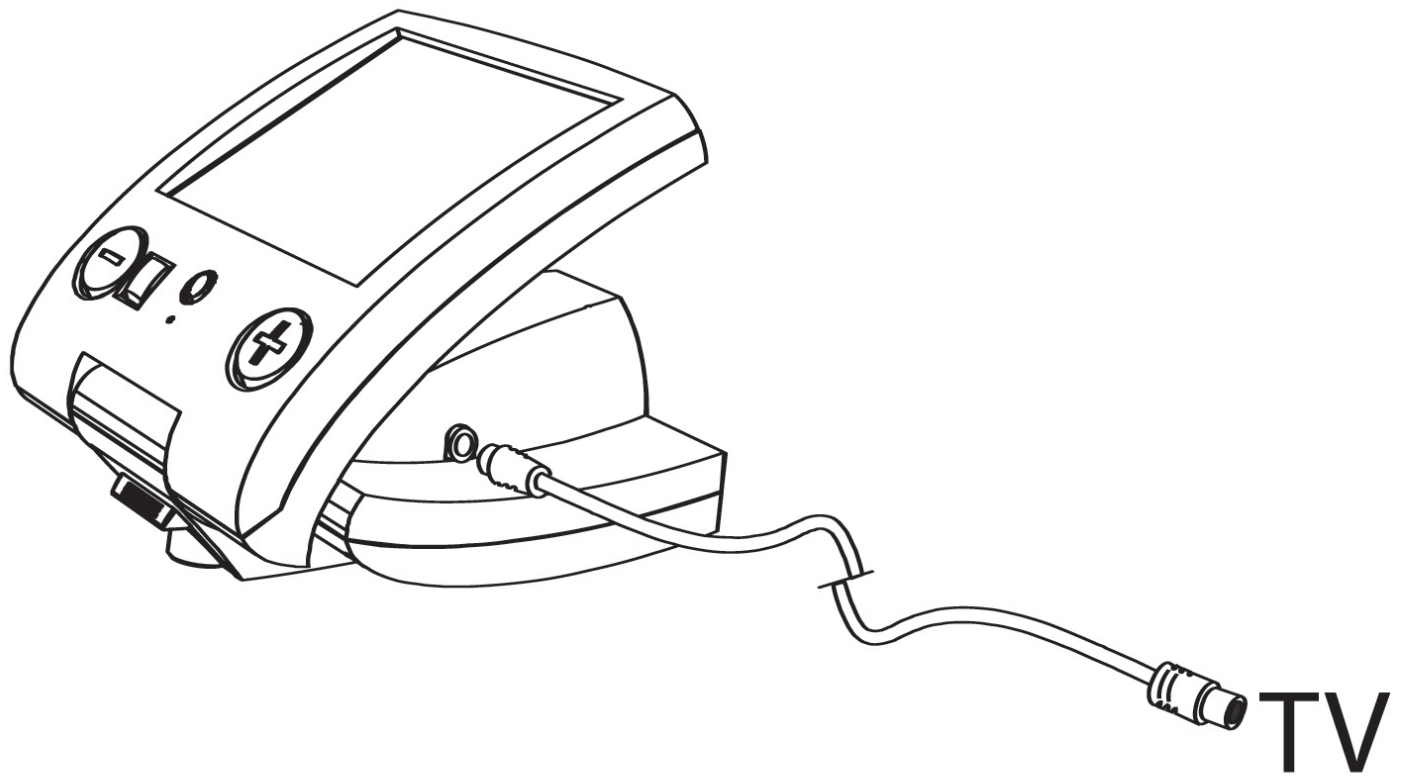
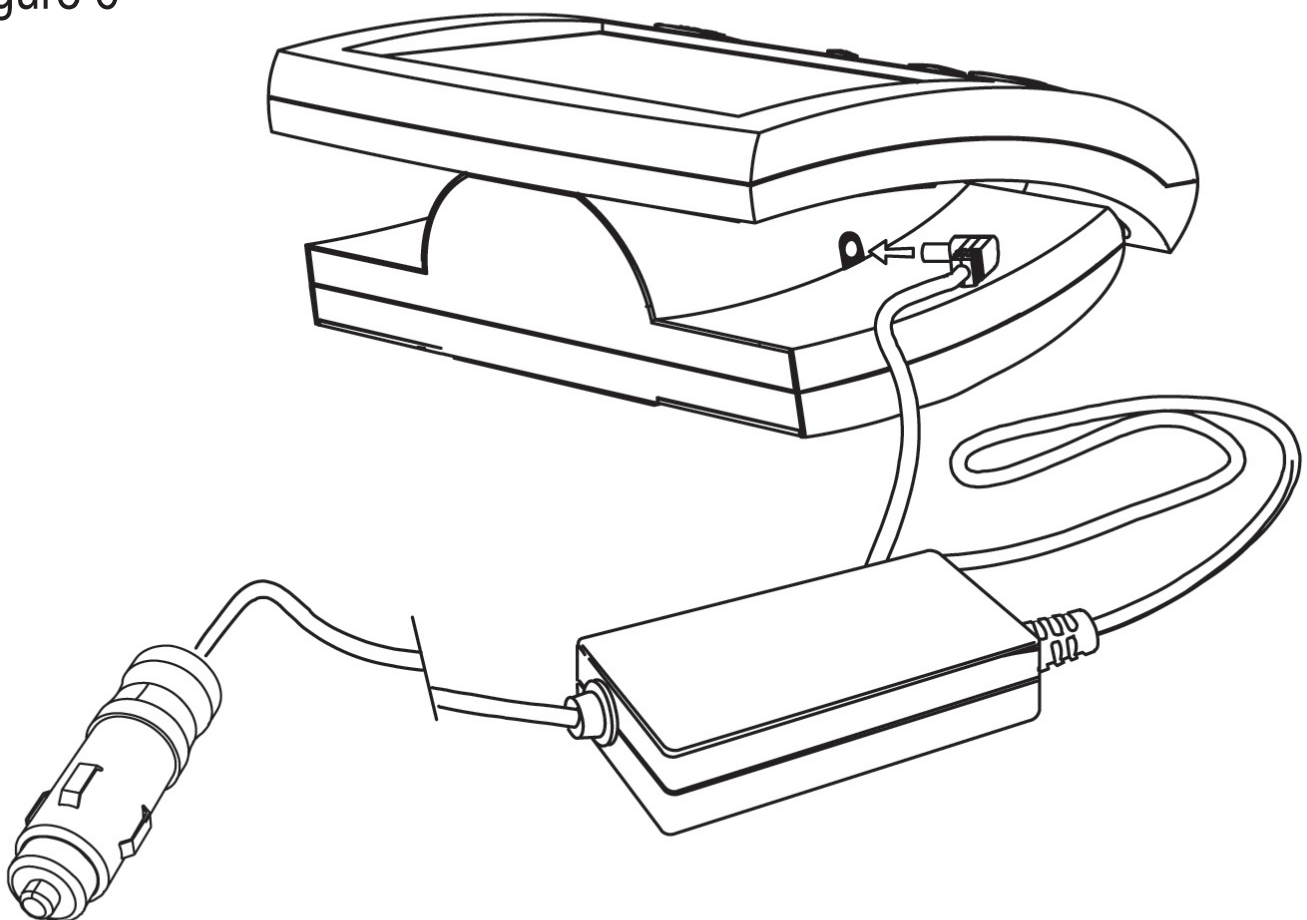


Figure 6



1 General

Congratulations on your purchase of the Traveller+, a high quality portable electronic magnifier. The Traveller+ is designed to be used in dry and non-industrial conditions. This user manual contains information about the set-up, operation and maintenance of the Traveller+. Please read this manual thoroughly before setting up and using your Traveller+. If you have any further questions or requirements after reading this manual, do not hesitate to contact us or your local dealer. Refer to the figures on page 4 - 6 for extra clarification when reading through the manual.

2. Safety instructions

- Do not expose the Traveller+ to excessive heat or direct sunlight to **avoid the risk of fire.**
- Do not remove any parts of the Traveller+. Contact authorized service personnel of **Optelec for servicing.**
- To avoid the risk of electrical damage, keep your Traveller+ away from fluids and chemicals.
- Use a moist cloth to clean the **exterior. Never use a solvent like alcohol.**
- Do not drop, knock or shake it. Rough handling will damage the internal components.
- Do not use the Traveller+ near **inadequately shielded** medical devices. Use of the Traveller+ other than described in this manual will exclude the Traveller+ from warranty.ii

3. Contents and set up:

The following items are included with the Traveller+ in the packaging box:

- 1 Traveller+
- 1 power cable with power adaptor
- 1 accessory pack (optional):
 - 1 external monitor cable
 - 1 car charge adapter

See figure 1 on page 4. Put the adapter plug in the Traveller+ and plug the adaptor power cable into the wall socket. The Traveller+ is now ready to use. The blinking LED-light (page 4, figure 2, nr. 5) indicates the internal batteries are charging. This takes 3 hours. In the mean time the Traveller+ can be used for reading (position, page 5, figure 3) or writing (position, page 5, figure 4).i

4. Operation

See also page 4 figure 2.

Turning On and Off

Push the red button (nr.1) for 1 second to switch on the Traveller+. The LED-light (nr. 5) is now lit continuously. Press this button again to turn the Traveller+ off. It takes approximately 1 minute to reach full screen brightness. (Note: when the Traveller+ is connected to the mains power, the LED keeps blinking, even if the device is turned off)

Zooming

With the “+” button (nr. 3) and the “-“ button (nr. 2), you can magnify your image from 4 -16 times. Hold the button down until you have reached the desired magnification level. When the highest or lowest magnification is reached, the zoom stops automatically. Changing reading mode

The Mode button (nr. 4) is used to change the screen image. Press this button to toggle through the 3 image modes. You can choose between:

- Full color photo mode (for pictures)
- Text mode with extra high contrast (black-white)
- Negative text mode (white-black)

5. Changing the screen angle

See also page 5 figure 3.

The screen can be manually adjusted to any angle for a correct viewing posture and to prevent glare.

6. Writing with the Traveller+

See also page 5 figure 4.

To use the Traveller+ for writing:

1. Tilt the screen all the way up until it blocks.

Put the device upright, as shown in the figure on page 6.

2. Pull the blue revolving camera carefully out until you hear and feel it clicks. The external illumination LED's, will automatically switch on in this position. The magnification size is fixed on 5 times in writing position. Hold the Traveller+ with one hand while using it in the writing position to retain its stability.

7. Charging the batteries

When the Traveller+ is connected to the mains power outlet, the internal **batteries are automatically charged. The LED-light (nr. 5 on page 4) will start blinking once per second. When the batteries are fully charged, this takes 3 hours, the LED-light will blink once every 5 seconds.** When the Traveller+ is used without the power outlet, the batteries are in use. The batteries can be used 2.5 hours continuously. The LED-light is now lit continuously. As soon as the LED-light is interrupted every two seconds, the batteries need to be recharged. Connect the Traveller+ to the mains power outlet. To save energy, the Traveller+ will automatically turn off if no buttons are touched for 20 minutes.

Operation and storage conditions:

Relative humidity	<70 %, no condensation
Temperature	0 – 35 ° C

8. Connection to a TV

(optional)

See the figure on page 6 figure 5. Connect the external video cable to the Traveller+ and to the video input on your TV. Switch your TV to AV-mode.

Refer also to the installation guide of the accessory pack.

9. Using the Car adapter:

(optional)

See the figure on page 8. To charge the batteries in a car (12 Volts), plug the car charge adapter in the cigarette lighter socket and plug the other end into the Traveller+. It will take 3 hours to fully charge the batteries.

10. Technical information

Dimensions	8 x 16 x 9,5 cm
Screen size	6.2" (16 cm)
Battery	2.5 hour's continuous use
Battery charge time	3 hours
Weight	950 gram.
Optical magnification	4 – 16 times
Magnification on TV	depending on the size of TV screen used
Camera resolution	510 x 492 pixels
Lighting	White LED light
Video output	NTSC
Electrical supply	90–240 V AC / 50-60 Hz
Power adapter	18V, 2 Amp.

Note :

Used batteries should be disposed at a depot that is designated by local competent authorities.

Operation and storage conditions:

Relative humidity: <70 %, no condensation

Temperature: 0 – 35 ° C

Compliances

This product complies with the safety and EMC requirements of the directives:

93 / 42 EEC

EN 1441

EN 12182

EN 60601-1-2

EN 60335-1

This device bears the CE, FCC and UL approval mark.



11. Contact information

If you have any questions about the operation of your Traveller+, please contact your local distributor. For additional Optelec addresses, see the last pages of this manual.